

# RS-455PA



Carbon-brush motors

OUTPUT : 3.0W~65W (APPROX)

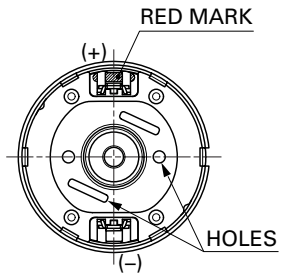
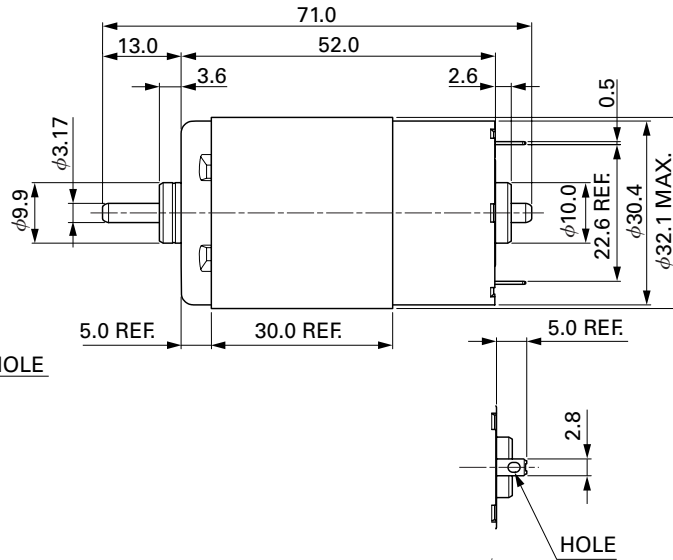
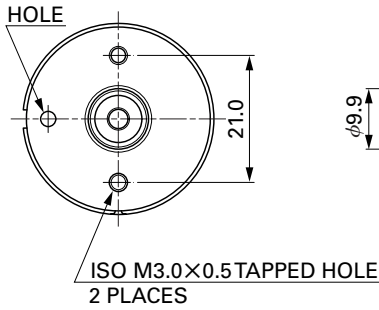
WEIGHT : 145g (APPROX)

Typical Applications Office Automation Equipment : Printer

| MODEL          | VOLTAGE         |               | NO LOAD        |              | AT MAXIMUM EFFICIENCY |              |                |                | STALL       |                |                |              |
|----------------|-----------------|---------------|----------------|--------------|-----------------------|--------------|----------------|----------------|-------------|----------------|----------------|--------------|
|                | OPERATING RANGE | NOMINAL       | SPEED<br>r/min | CURRENT<br>A | SPEED<br>r/min        | CURRENT<br>A | TORQUE<br>mN·m | TORQUE<br>g·cm | OUTPUT<br>W | TORQUE<br>mN·m | TORQUE<br>g·cm | CURRENT<br>A |
| RS-455PA-15200 | 12~42           | *42V CONSTANT | 6300           | 0.058        | 5350                  | 0.33         | 15.8           | 161            | 8.83        | 105            | 1070           | 1.85         |
| RS-455PA-18140 | 12~30           | 21V CONSTANT  | 4500           | 0.078        | 3730                  | 0.38         | 13.0           | 132            | 5.06        | 76.0           | 775            | 1.84         |

\*This operating voltage indicates the peak value in case of pulse-width modulation (PWM) power supply. Besides, as withstand voltage, 1800V for one second can not be guaranteed.

## DIRECTION OF ROTATION

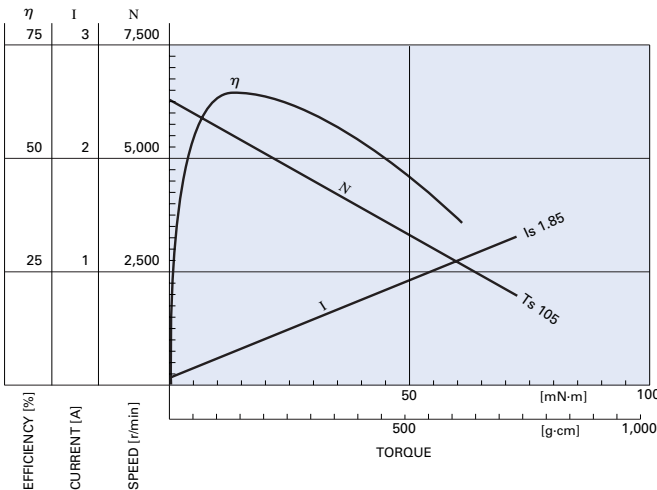


Usable machine screw length 4.0 max. from motor mounting surface.

UNIT: MILLIMETERS

## RS-455PA-15200

42.0V



## RS-455PA-18140

21.0V

